

Meters/Registers

Liquid Controls M-7 Meters.....	157
LCMag Meters.....	157
Mid:Com BV-188.....	157
Mid-Com 6500/6501B Boards.....	158
Neptune Red Seal Meters (400 Series) replacement parts.....	158
Smith Meters Replacement Parts.....	158
Veeder-Root.....	159
Special Orders.....	159

Liquid Controls M-7 Meters

Liquid Controls M and MA Series rotary motion positive displacement (PD) meters offer the ultimate in measurement accuracy for custody transfer of petroleum products, aviation fuels, LPG, and a broad range of industrial liquids.

Superior Performance Features

Low pressure drop - will operate on gravity flow or pump pressure. **Sustained accuracy** and no metal-to-metal contact inside the measuring chamber means minimal wear and deterioration in accuracy over time, fewer recalibrations, and longer service life. Meters conform to NIST and International Weights and Measures accuracy requirements.

Wide viscosity range - LC meters can accurately meter products from less than 30 SSU (less than 1 centipoise) to 1,500,000 SSU (325,000 centipoise).

Maximum adaptability - choice of stock or custom elbows/fittings provides unequaled mounting flexibility to meet widely varying installation requirements.

For a full breakdown of LC M-7 Meters and accessories please refer to [Appendix E-1 thru E-10](#)



LCMag Meters



The LCMag family of electromagnetic flow meters offers the best solution for measuring the flow of electrically conductive liquids (5 μ S/cm minimum). A production sensor consists of a stainless steel pipe section internally lined with insulating material. PTFE, Polypropylene and Ebonite (hard rubber) liners are available. The two electrodes are positioned opposite each other on the internal surface of the pipe. The coils which generate the magnetic field are placed outside the pipe. The complete sensor has an external NEMA 6-6P (IP67/68) protection rating which guarantees the integrity of the magnetic circuit and protects the instrument against the external environment. The choice of materials in contact with the fluid (lining, electrodes, etc.) depends on the temperature, the chemical aggressiveness of the liquid and the degree of abrasion of the liquid.

The LCMag family consists of five types of electromagnetic flow meters for specific applications. The five models include microflow, wafer, sanitary, flanged, and insertion meters. The units are offered in a wide variety of sizes and flow ranges for many industrial as well as OEM applications.

For more information call DBL today to see which LCMag Meter is right for you.

Mid:Com BV-188

Electric, two stage solenoid valve.

For a complete list of replacement parts see [Appendix K-45](#)

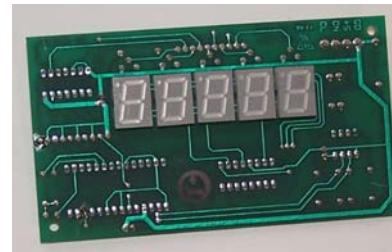
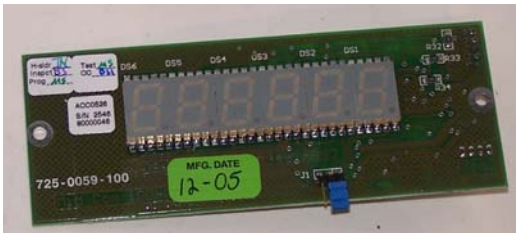
Part#	Description
MID125-0024	Small Gasket
MID125-0025	Large Gasket
MID125-0027	Small U-Cup
MID125-0029	Large U-Cup



Mid:Com 6500/6501B Boards

Stocking boards and parts for all Mid:Com computing registers.

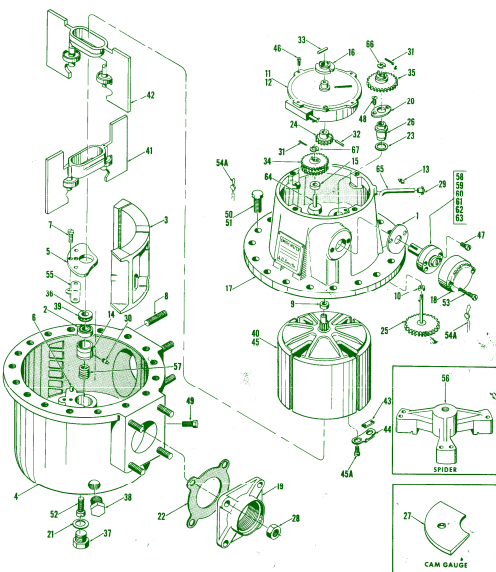
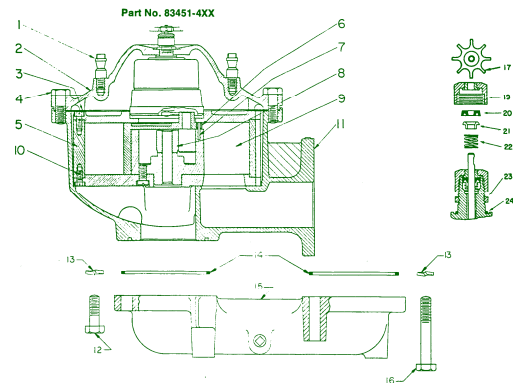
Part#	Description
MID800-0007	Display Board
MID800-0018	Head Board
MID800-0026	Preset Board



Neptune Red Seal Meters (400 Series) Replacement Parts

DBL carries replacement parts for the 2" type 4 compact meter (with air release and strainer) and the 2" type 40 meters (without air release and strainer)

Please refer to **Appendix E-11** for a detailed parts breakout.



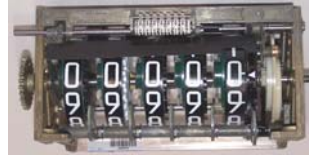
Smith Meters Replacement Parts

DBL offers replacement parts for Smith Meters models T-6, T-7, T-10, T-10NF, and T-11NF. To determine what replacement parts you may need please refer to our **Appendix E-13** for a full parts breakout.

Rebuilt Veeder-Root Register Only On Exchange

Part# PMP31007

Factory rebuilt mechanical register for use on fuel delivery trucks.



Rebuilt Veeder-Root Register/Printer on Exchange

Part# PMP31012

Factory rebuilt register and printer combination printer as used on retail fuel delivery trucks.

Parts Breakout Appendix E-19



Rebuilt Veeder-Root Printer On Exchange

Part# PMP31004

Factory rebuilt mechanical printer for use on retail fuel delivery trucks.



Veeder-Root Rebuilt Five Wheel Preset Exchange

Part# PMP7889RX

Factory rebuilt five wheel mechanical preset as used on retail delivery trucks.



Veeder-Root New Style Register Bezel

Part# PMPV/RBEZEL

Clear replacement bezel for new style mechanical register.



Veeder-Root New Style Totalizer

Part# PMPV/RTOT

Replacement totalizer for new style mechanical register.

